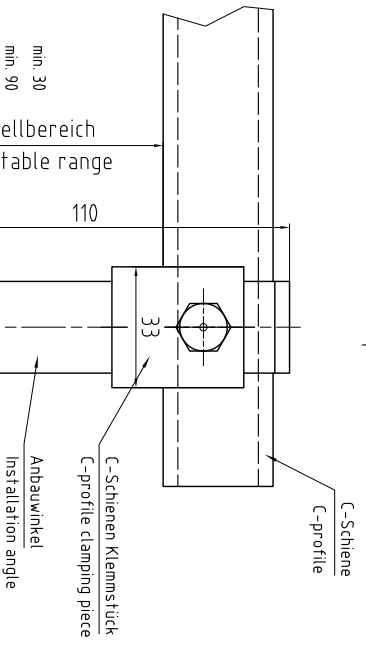


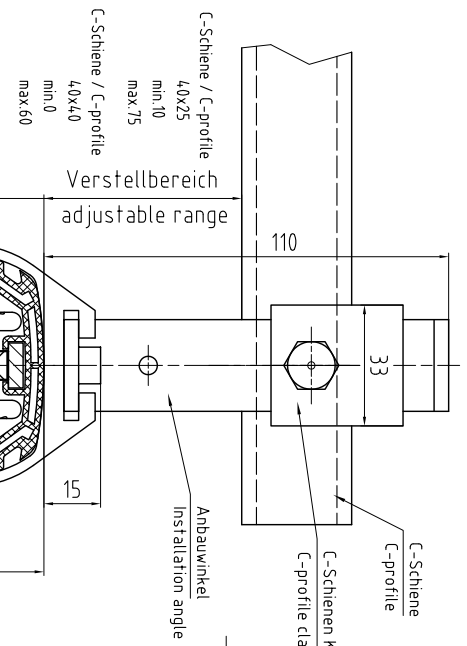
Befestigung I / C-Schiene

Attachment I / C-profile



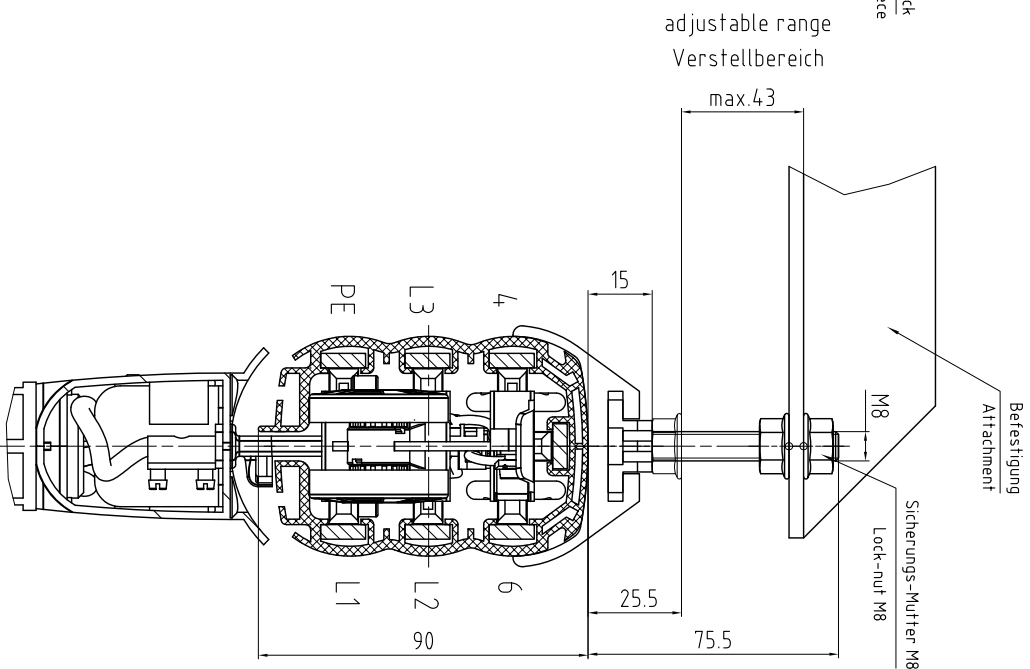
Befestigung II / C-Schiene

Attachment II / C-profile



Befestigung mit Gewindebolzen

Attachment with threaded bolt



For these drawings Stepmann or our staff
 must be contacted for any questions.
 The drawings are for information only and
 do not constitute a contract. The drawings
 are subject to change without notice.
 The drawings are for information only and
 do not constitute a contract. The drawings
 are subject to change without notice.
 The drawings are for information only and
 do not constitute a contract. The drawings
 are subject to change without notice.

Regarding the drawings we reserve all rights.
 The drawings are for information only and
 do not constitute a contract. The drawings
 are subject to change without notice.
 The drawings are for information only and
 do not constitute a contract. The drawings
 are subject to change without notice.
 The drawings are for information only and
 do not constitute a contract. The drawings
 are subject to change without notice.

Bitte ohne Teileranzüge Maßstab 1:1
 Oberflächennormen
 DIN ISO 1302
 mit Aufhängung und Stromabnehmerwagen
 Art. Nr.: SCL1

Querschnitt SCL
 2 SCL01
 Esst. d. 81

Bezeichnung: Datum: Name: Oberfläche: Maßstab: 1:1
 2 SCL01
 20.04.2004
 50
 STEPMANN -
 TECHNİK
 Esst. d. 81

Zust. Änderung Datum Name Usp. Esst. d. 81

1 2 3 4 5 6 7 8